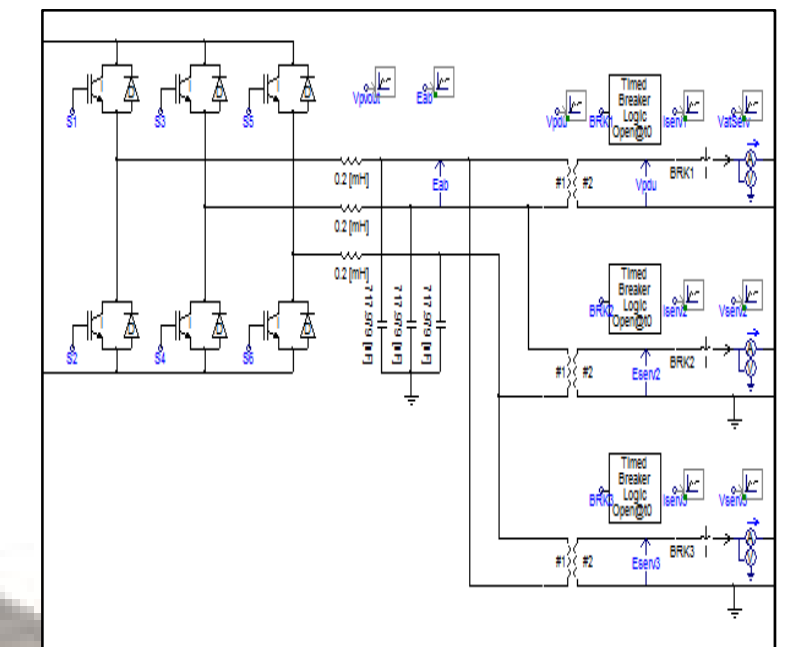
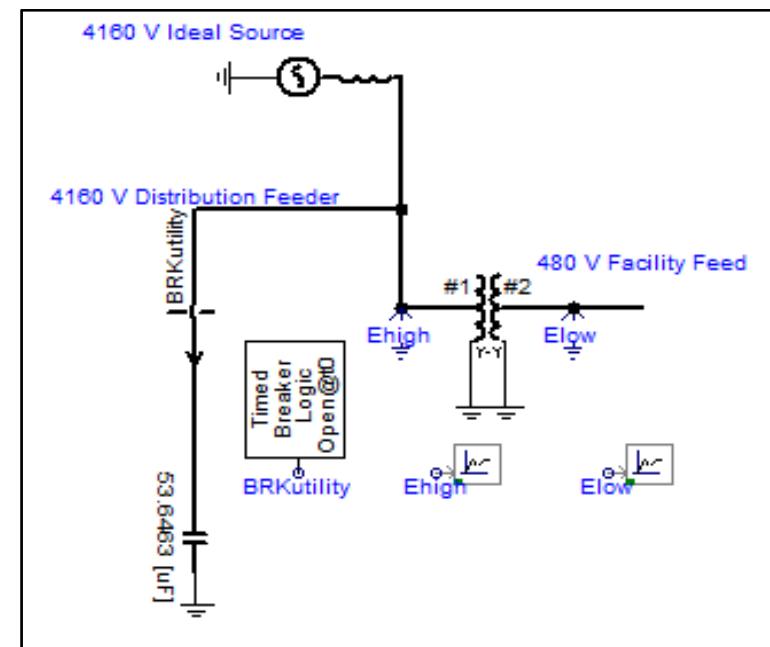


# Voltage Transient Propagation in AC and DC Datacenter Distribution Architectures

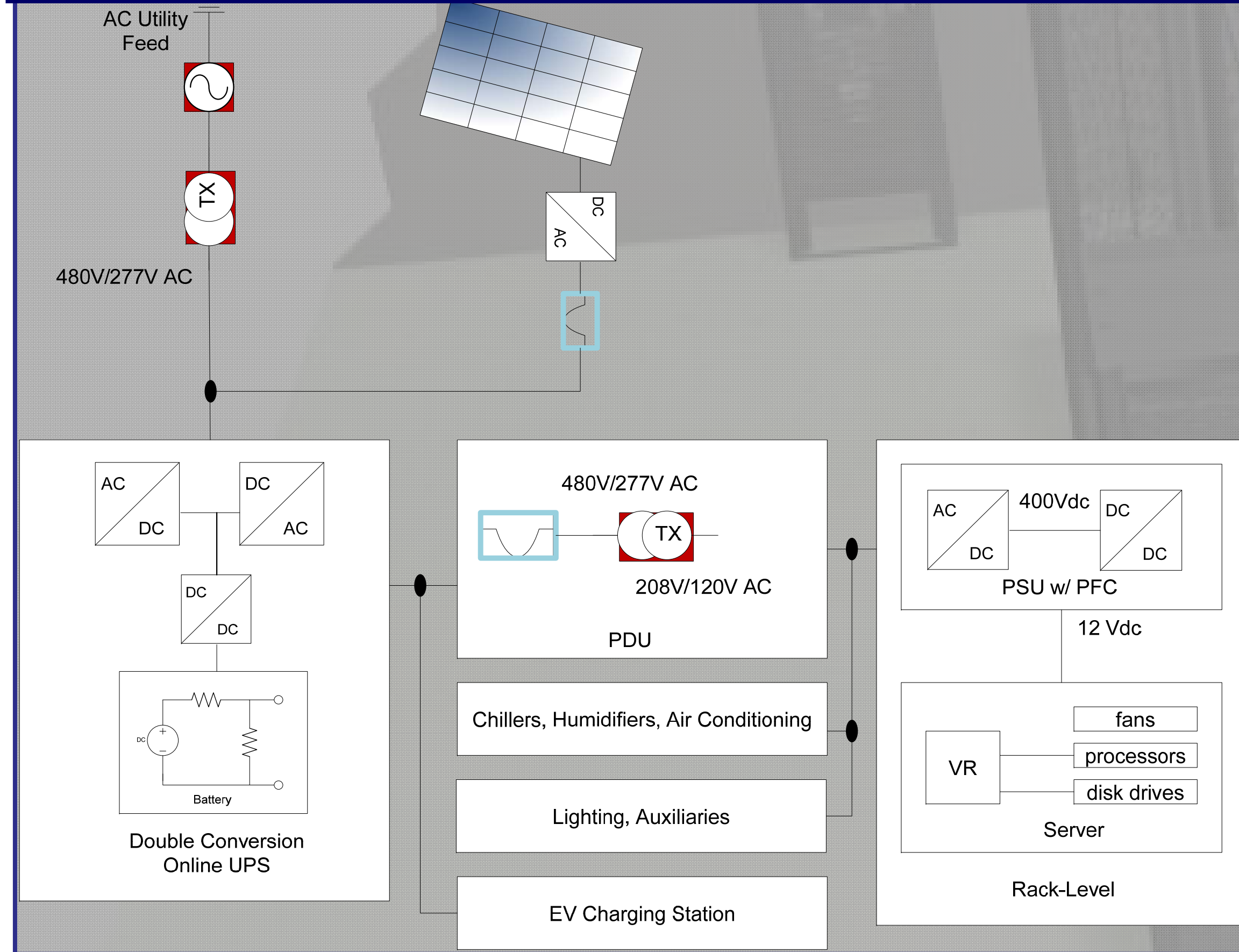
Graduate Research Assistant: Emmanuel Taylor  
 Academic Advisor: Dr. Gregory Reed  
 Sponsored By: PA BFTDA, US DOE

## Objectives of Research

A comparative analysis of AC and DC distribution systems for datacenters.  
 Identification of future needs for DC protection systems.



## AC Benchmark System



## DC Comparison System

